

Equal Cross

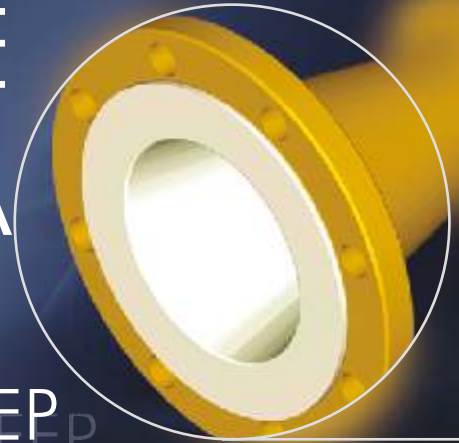


HDPE

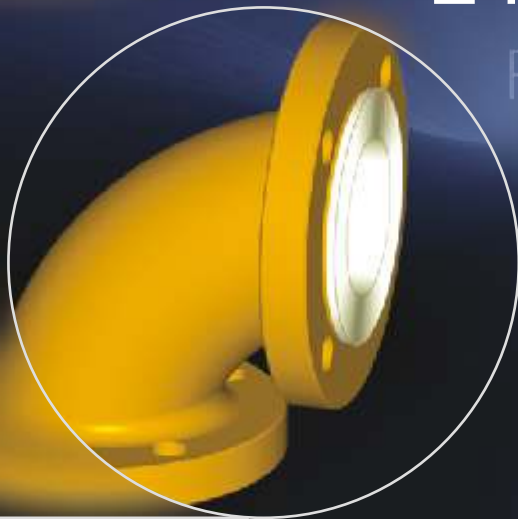
PFA
ECTFE

PP
ETFE

PVDF

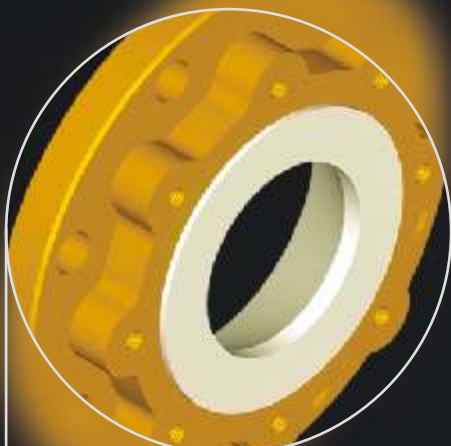


Concentric Reducer

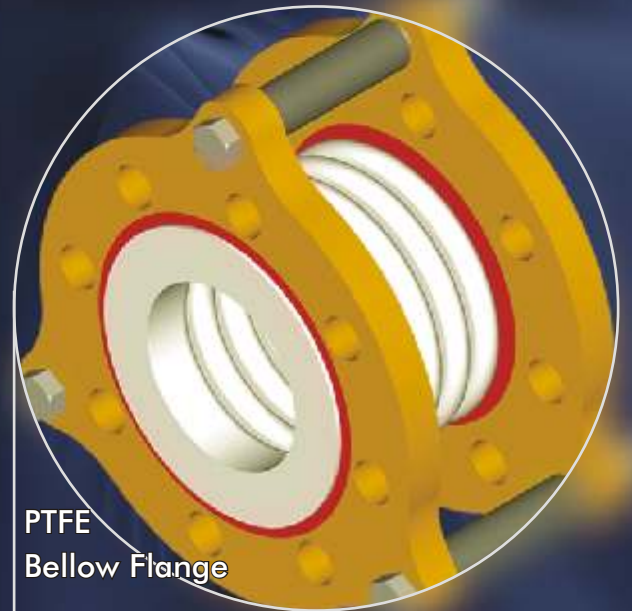


90° Bend

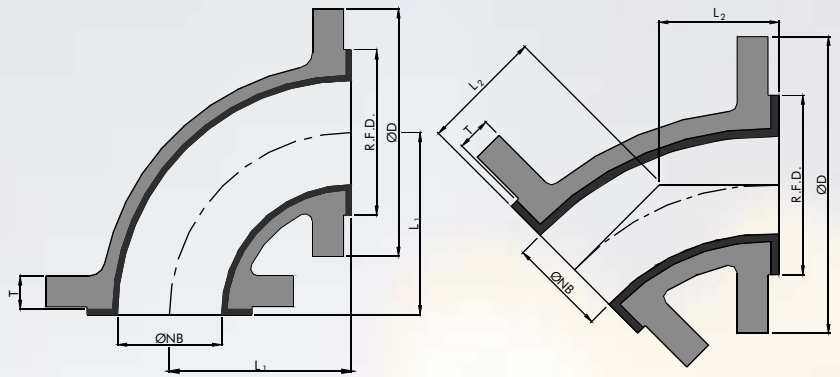
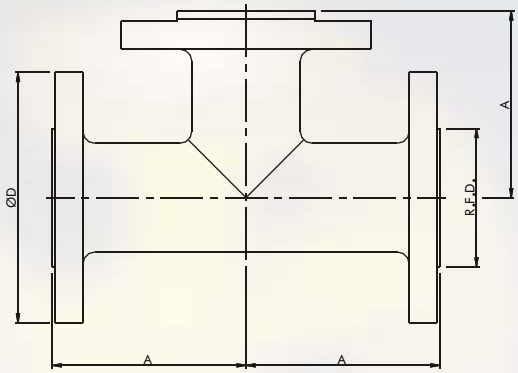
Teflon Lined Pipes, Fittings & Accessories



Reducing Flange



PTFE
Bellows Flange



90° Elbow

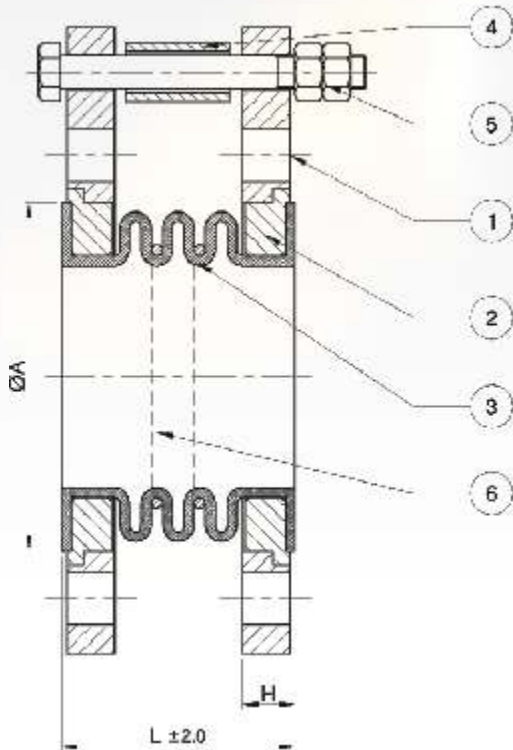
45° Elbow

GA Drawing with Dimension

Valve Size ØNB	ØD	A	R.F.D.
25mm	108	89	50.8
40mm	127	102	73.15
50mm	152.4	114	92
80mm	190.5	140	127
100mm	228.5	165	157
150mm	279.4	203	216

GA Drawing with Dimension

Valve Size ØNB	ØD	R.F.D.	T	L ₁	L ₂
25mm	108	50.8	14.3	89	44
40mm	127	73.15	17.5	102	57
50mm	152.4	92	19	114	64
80mm	190.5	127	23.81	140	76
100mm	228.5	157	23.81	165	102
150mm	279.4	216	25.4	203	127



Material Specification

Sr. No.	Part Name	Material
1	Bellow Flange	MILD Steel
2	Flange Connector	MILD Steel
3	Bellow	PTFE
4	Nuts & Bolts	S.S 304
6	Spring	Stainless Steel

Dimension (mm)

Size (NB)	25	40	50	80	100	150
L ±2.0	50	50	70	100	100	100
ØA	50.8	73.0	92.1	127	157.2	215.9

Lining Specification

Other Lining Material	PVDF / ETFE / ECTFE / PP / HDPE
Lining Thickness	3.0mm / 4.0mm over all wetted parts
Spark Test	20,000 Volts
Body Hydro Test	20 Kg / Cm ²



ISO 9001



Brightech Valves and Controls Pvt. Ltd.

Plot No.:- 345, Road No. :- 6, GIDC Kathwada, Ahmedabad 382 430, Ph.: +91-79-22902911, 65248816, Fax.: +91-79-22900538

E-mail: info@brightechvalves.com, Web.: www.brightechvalves.com



QM011

www.brandaid.co.in